



CP603448 3.0V

Electrical characteristics

Typical values relative to cells stored for one year

| | |
|--|-----------|
| ⦿ Nominal capacity | 2300mAh |
| Discharged capacity at 2mA,+25°C, 1.8V cut off. | |
| ⦿ Nominal voltage | 3.0V |
| ⦿ Max. recommended continuous current | 1200mA |
| Discharged to 1.8V at 25°C permitting 50% of the Nominal capacity to be achieved | |
| ⦿ Max. Pulse current | 2500mA |
| 15 seconds at 25°C drained with 50% of the nominal capacity, yield voltage reading above 1.8V. The value may vary with the pulse characteristics, the temperature and the cell's previous history | |
| ⦿ Storage | Max 30°C |
| ⦿ Operating temperature range | -40~+60°C |
| ⦿ Weight | ≈18g |

Warning

Don't charge crush, disassemble, expose contents to water, heat above 80°C, or may lead to explosion, burn or goods leakage. Discarded battery should be buried deeply to the ground.

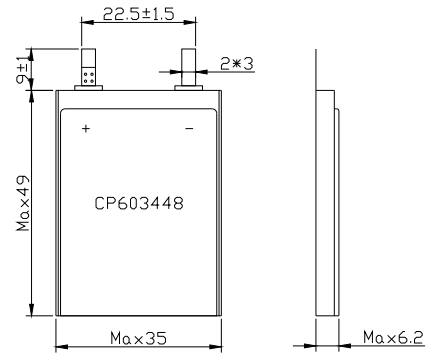
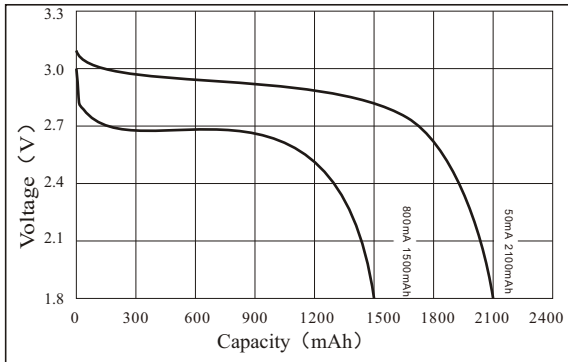
Key features

- High and stable operating voltage
- Long shelf life Annual self-discharge rate lower than 2% at +20°C
- Hermetic Sealing
- Compliant with IEC 86-4 safety standard
- Non-restricted for transport

Main applications

- active tags
- Alarms or security equipment
- Smoke detector
- Memory backup
- Real time clock
- Professional electronic equipment
- Medical equipment
-

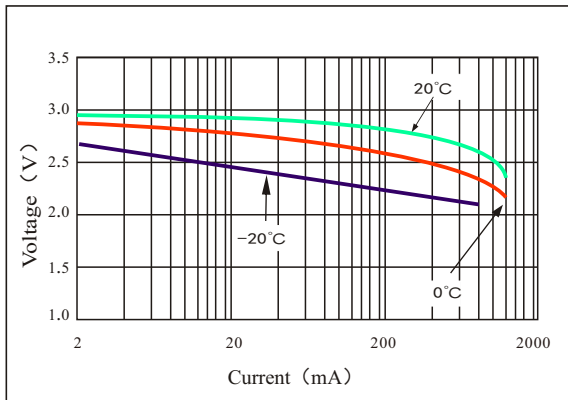
Discharge characteristics at 25°C



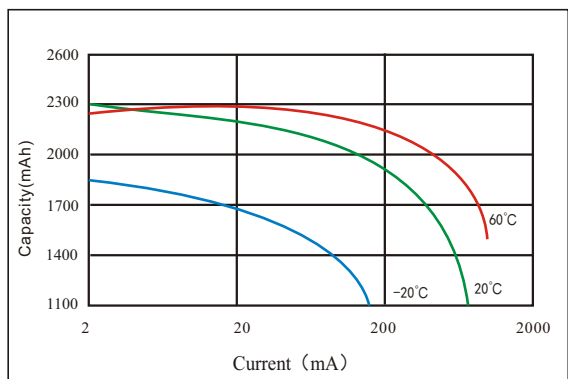
Dimensions in mm

Special terminal can be made according to customer's requirement

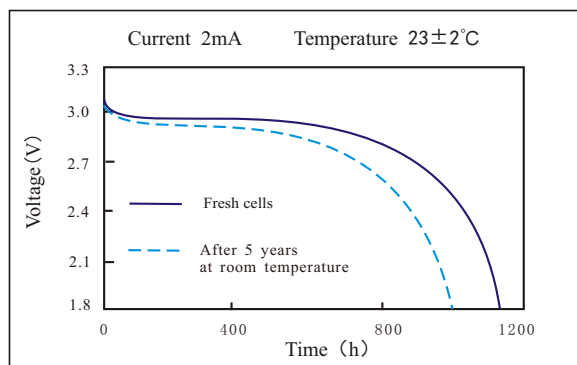
Voltage VS Current & Temperature Curve



Capacity VS Current & Temperature Curve



Storage characteristics



Data in this page is subject to change without notice and becomes contractual only after written confirmation by Fanso