



CP1003742 3.0V

## Electrical characteristics

Typical values relative to cells stored for one year

⊙ Nominal capacity	3800mAh
Discharged capacity at 2mA,+25°C, 1.8V cut off.	
⊙ Nominal voltage	3.0V
⊙ Max. recommended continuous current	2000mA
Discharged to 1.8V at 25°C permitting 50% of the Nominal capacity to be achieved	
⊙ Max. Pulse current	3200mA
15 seconds at 25°C drained with 50% of the nominal capacity, yield voltage reading above 1.8V. The value may vary with the pulse characteristics, the temperature and the cell's previous history	
⊙ Storage	Max 30°C
⊙ Operating temperature range	-40~+60°C
⊙ Weight	≈30g

## Warning

**Don't charge crush, disassemble, expose contents to water, heat above 80°C, or may lead to explosion, burn or goods leakage. Discarded battery should be buried deeply to the ground.**

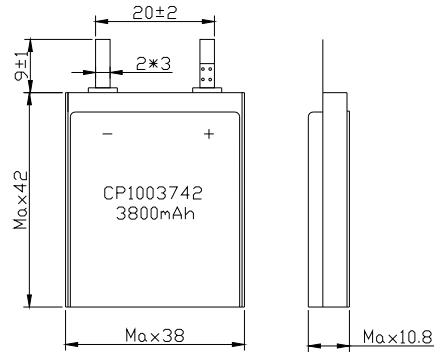
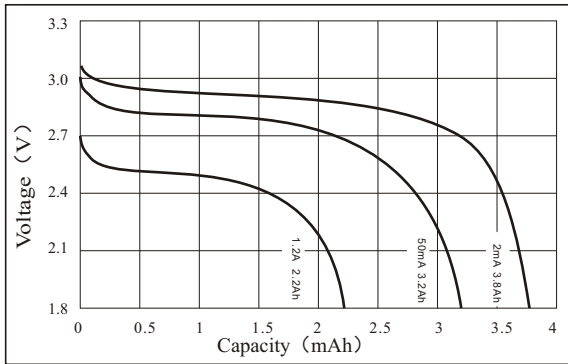
## Key features

- High and stable operating voltage
- Long shelf life Annual self-discharge rate lower than 2% at +20°C
- Hermetic Sealing
- Compliant with IEC 86-4 safety standard
- Non-restricted for transport

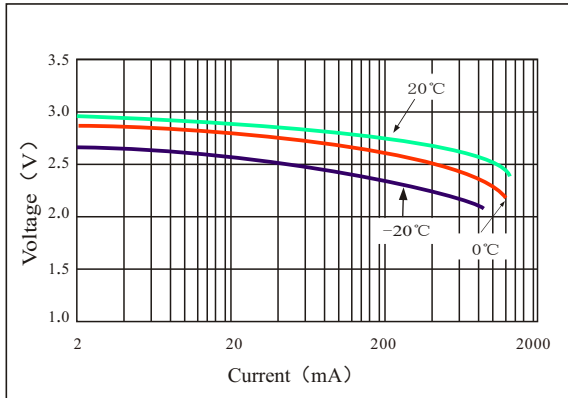
## Main applications

- active tags
- Alarms or security equipment
- Smoke detector
- Memory backup
- Real time clock
- Professional electronic equipment
- Medical equipment
- .....

Discharge characteristics at 25°C



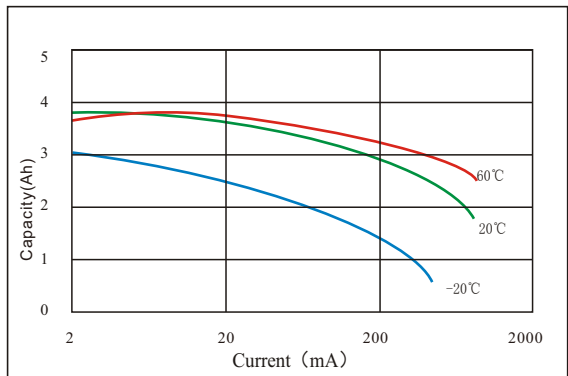
Voltage VS Current & Temperature Curve



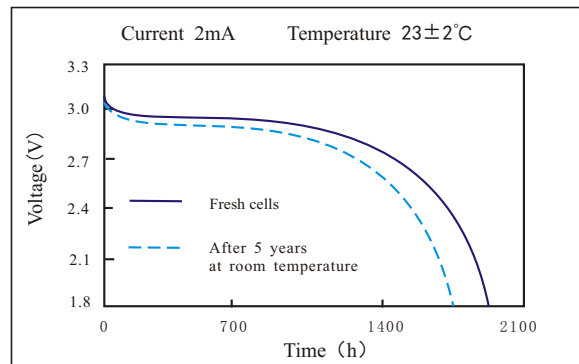
Dimensions in mm

Special terminal can be made according to customer's requirement

Capacity VS Current & Temperature Curve



Storage characteristics



Data in this page is subject to change without notice and becomes contractual only after written confirmation by Fanso