



CP224147 3.0V

Electrical characteristics

Typical values relative to cells stored for one year

<p>⊙ Nominal capacity</p> <p>Discharged capacity at 1mA,+25°C, 1.8V cut off.</p>	800mAh
<p>⊙ Nominal voltage</p>	3.0V
<p>⊙ Max. recommended continuous current</p> <p>Discharged to 1.8V at 25°C permitting 50% of the Nominal capacity to be achieved</p>	200mA
<p>⊙ Max. Pulse current</p> <p>15 seconds at 25°C drained with 50% of the nominal capacity, yield voltage reading above 1.8V. The value may vary with the pulse characteristics, the temperature and the cell's previous history</p>	400mA
<p>⊙ Storage</p>	Max 30°C
<p>⊙ Operating temperature range</p>	-40~+60°C
<p>⊙ Weight</p>	≈6.5g

Warning

Don't charge crush,disassemble,expose contents to water,heat above 80°C,or may lead to explosion, burn or goods leakage.Discarded battery should be buried deeply to the ground.

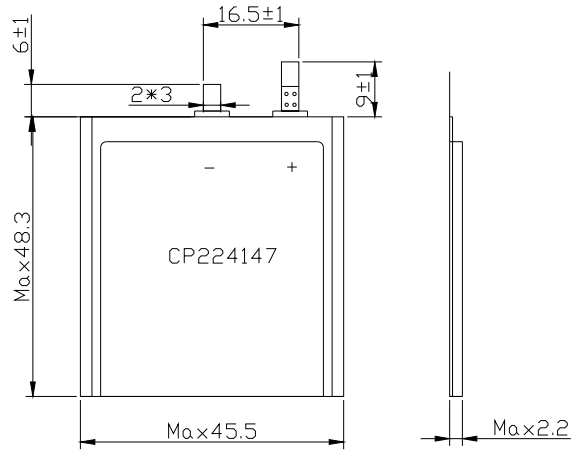
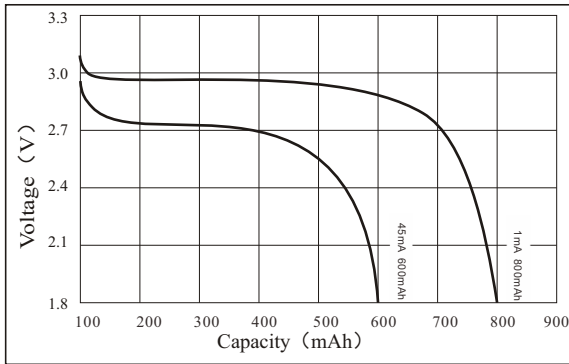
Key features

- High and stable operating voltage
- Long shelf life Annual self-discharge rate lower than 2% at +20°C
- Hermetic Sealing
- Compliant with IEC 86-4 safety standard
- Non-restricted for transport
- UL Component Recognition File Number MH46165

Main applications

- active tags
- Alarms or security equipment
- Smoke detector
- Memory backup
- Real time clock
- Professional electronic equipment
- Medical equipment
-

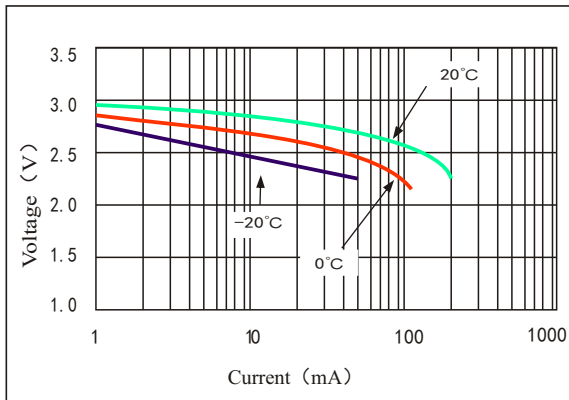
Discharge characteristics at 25°C



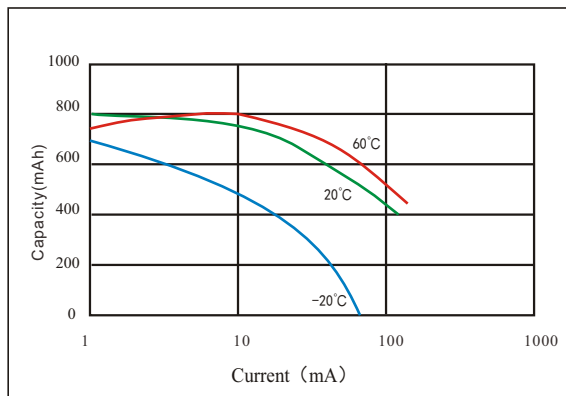
Dimensions in mm

Special terminal can be made according to customer's requirement

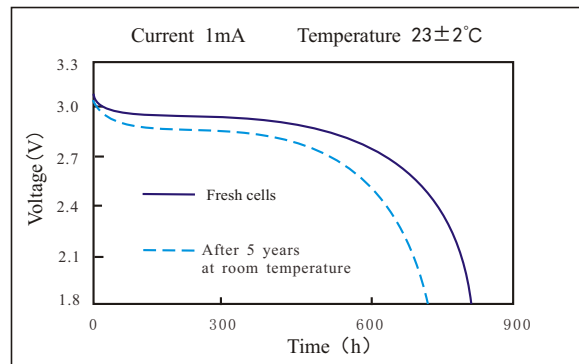
Voltage VS Current & Temperature Curve



Capacity VS Current & Temperature Curve



Storage characteristics



Data in this page is subject to change without notice and becomes contractual only after written confirmation by Fute.

WUHAN FANSO TECHNOLOGY CO.,LTD

Address: No.1 Sitai Industrial Park, Yongfeng Avenue, Hanyang District, Wuhan City, China.